

TEST AND BALANCE VARIABLE VOLUME UNIT SCHEDULE (EXISTING VVT'S), AIR DISTRIBUTION, HVAC NOTES, GENERAL NOTES, VENTILATION RATE, DESIGN CONDITIONS, MEASUREMENTS AND CONTROLS, MISCELLANEOUS, ABBSREVIATIONS, DRAWING INDEX

DODSTONE ARCHITECTS logo and contact information. Scott T. Craig, Jr., State of Florida, Professional Engineer, License No. 73898. Office of the State Attorney, Second Judicial Circuit, 4th Floor Renovation, 301 S. MOORE ST., TALLAHASSEE, FL 32301.



3011 N. MOBILE ST. TALLAHASSEE, FL 32301
PH: 904.438.2321 FAX: 904.438.2322
www.dodstonearchitects.com

This item has been electronically signed and sealed by Scott T. Craig, Jr., P.E. on 10/26/2018 using a Digital Signature.
Printed copies of this document are not considered signed and sealed, and the original must be verified on any electronic copies.

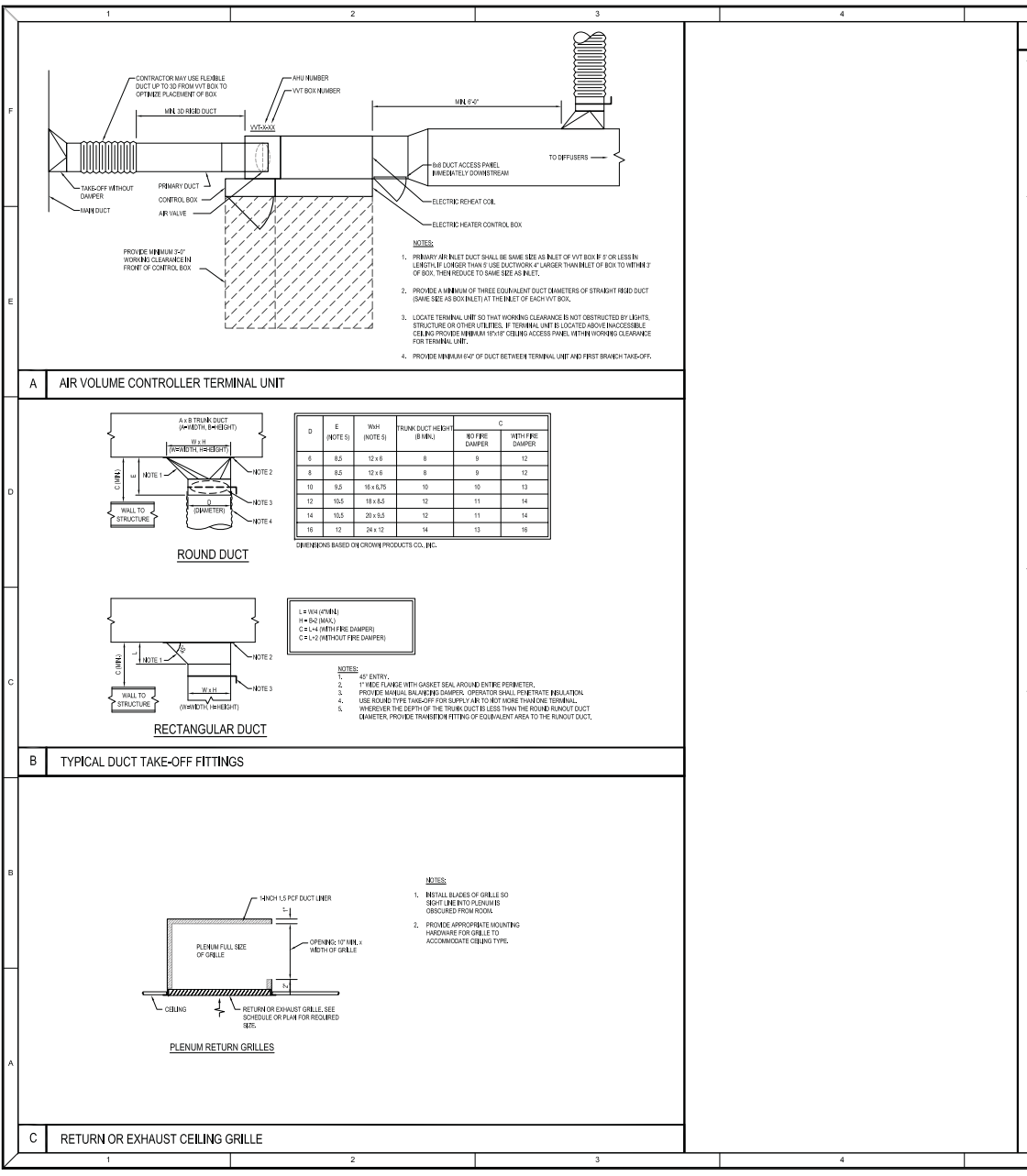


PROJECT NO. 18-02
DATE: 10/26/2018
DRAWN BY: JAC
CHECKED BY: JAC
SCALE: AS SHOWN
THIS DRAWING IS THE PROPERTY OF DODSTONE ARCHITECTS AND AS SUCH IT IS TO BE KEPT IN CONFIDENTIALITY. THESE DRAWINGS ARE NOT TO BE REPRODUCED OR COPIED IN WHOLE OR IN PART WITHOUT THE WRITTEN CONSENT OF DODSTONE ARCHITECTS. ANY REPRODUCTION OR COPIING WITHOUT WRITTEN CONSENT OF DODSTONE ARCHITECTS IS PROHIBITED.

OFFICE OF THE STATE ATTORNEY,
SECOND JUDICIAL CIRCUIT
4th Floor Renovation,
Suite 443
301 S. MOBILE ST.,
TALLAHASSEE, FL 32301
PROJECT NUMBER: 18-02

Table with columns: SYSTEM, MECH, ELECTRICAL, DATE, and rows for various systems like AIR HANDLING, BALANCING, etc.

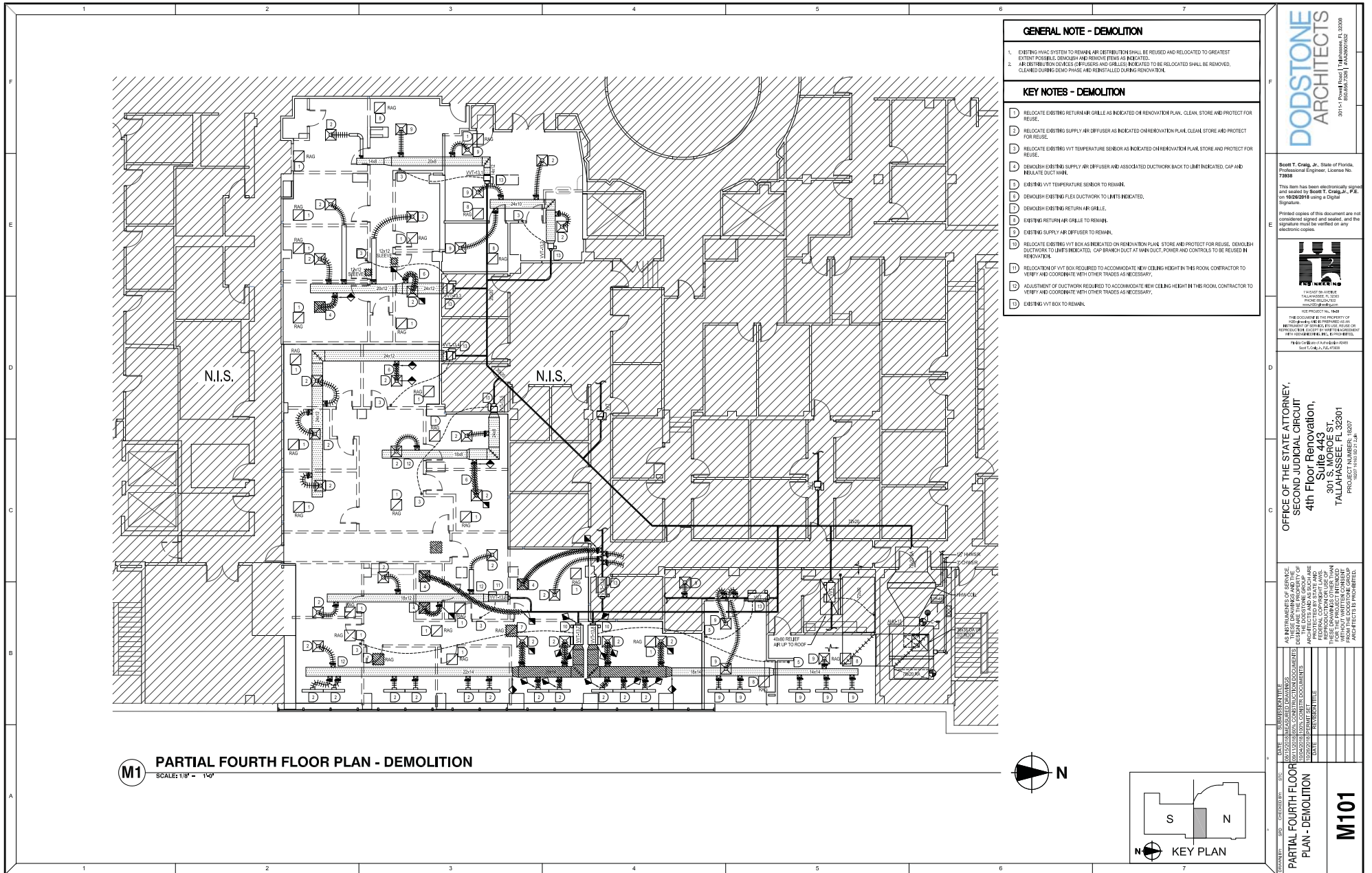
SPECIFICATIONS & DETAILS
M002



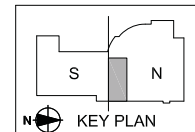
SPECIFICATIONS

DUCTWORK
A. GENERAL MATERIAL REQUIREMENTS COMPLY WITH SMACNA'S HVAC DUCT CONSTRUCTION STANDARDS...
B. MANUFACTURER SHALL COMPLY WITH REQUIREMENTS...
C. CONSTRUCTION...
D. INSULATION...
E. FINISHES...
F. TESTING, ADJUSTING AND BALANCING SCOPES...
G. CALIBRATION...
H. WORK FINAL SETTINGS...

SOLENOID AIR TERMINAL UNITS
A. BASECOURSE PRODUCTS...
B. CONSTRUCTION...
C. CASINGS...
D. VOLUME DAMPER...
E. ATTENUATOR SECTION...
F. ELECTRICAL...
G. FACTORY...
H. CONTROL...
I. DAMPER ACTUATOR...
J. TERMINAL UNIT...
K. CONTROL PANELS...
L. DAMPER ACTUATOR...
M. TERMINAL UNIT...
N. CONTROL PANELS...
O. DAMPER ACTUATOR...
P. TERMINAL UNIT...
Q. CONTROL PANELS...
R. DAMPER ACTUATOR...
S. TERMINAL UNIT...
T. CONTROL PANELS...
U. DAMPER ACTUATOR...
V. TERMINAL UNIT...
W. CONTROL PANELS...
X. DAMPER ACTUATOR...
Y. TERMINAL UNIT...
Z. CONTROL PANELS...



PARTIAL FOURTH FLOOR PLAN - DEMOLITION
SCALE: 1/8" = 1'-0"



GENERAL NOTE - DEMOLITION

1. EXISTING HVAC SYSTEM TO REMAIN. AIR DISTRIBUTION SHALL BE REUSED AND RELOCATED TO GREATEST EXTENT POSSIBLE. DEMOLISH AND REMOVE FENS AS INDICATED.
2. AIR DISTRIBUTION UNITS, COILS, FILTERS AND GRILLES INDICATED TO BE RELOCATED SHALL BE REMOVED, CLEANED DURING DEMO PHASE AND REINSTALLED DURING RENOVATION.

KEY NOTES - DEMOLITION

- D RELOCATE EXISTING RETURN AIR GRILLE AS INDICATED ON RENOVATION PLAN. CLEAN, STORE AND PROTECT FOR REUSE.
- D RELOCATE EXISTING SUPPLY AIR DIFFUSER AS INDICATED ON RENOVATION PLAN. CLEAN, STORE AND PROTECT FOR REUSE.
- D RELOCATE EXISTING VAV TEMPERATURE SENSOR AS INDICATED ON RENOVATION PLAN. STORE AND PROTECT FOR REUSE.
- D DEMOLISH EXISTING SUPPLY AIR DIFFUSER AND ASSOCIATED DUCTWORK BACK TO LIMIT INDICATED. CAP AND RESEAL DUCT WORK.
- D EXISTING VAV TEMPERATURE SENSOR TO REMAIN.
- D DEMOLISH EXISTING FLEX DUCTWORK TO LIMITS INDICATED.
- D DEMOLISH EXISTING RETURN AIR GRILLE.
- D EXISTING RETURN AIR GRILLE TO REMAIN.
- D EXISTING SUPPLY AIR DIFFUSER TO REMAIN.
- D RELOCATE EXISTING VAV BOX AS INDICATED ON RENOVATION PLAN. STORE AND PROTECT FOR REUSE. DEMOLISH DUCTWORK TO LIMITS INDICATED. CAP BRANCH DUCT AT MAIN DUCT. POWER AND CONTROLS TO BE REUSED IN RENOVATION.
- D RELOCATION OF VAV BOX REQUIRED TO ACCOMMODATE NEW CEILING HEIGHT IN THIS ROOM. CONTRACTOR TO VERIFY AND COORDINATE WITH OTHER TRADES AS NECESSARY.
- D ADJUSTMENT OF DUCTWORK REQUIRED TO ACCOMMODATE NEW CEILING HEIGHT IN THIS ROOM. CONTRACTOR TO VERIFY AND COORDINATE WITH OTHER TRADES AS NECESSARY.
- D EXISTING VAV BOX TO REMAIN.

DODSTONE ARCHITECTS
3011 S. MOBILE BLVD., SUITE 400
TALLAHASSEE, FL 32301
PHONE: (904) 272-1111 FAX: (904) 272-1122

Scott T. Craig, Jr., State of Florida, Professional Engineer, License No. 73938

This item has been electronically signed and sealed by Scott T. Craig, Jr., P.E. on 10/26/2018 using a Digital Signature.

Printed copies of this document are not considered signed and sealed, and the signature must be verified on any electronic copies.



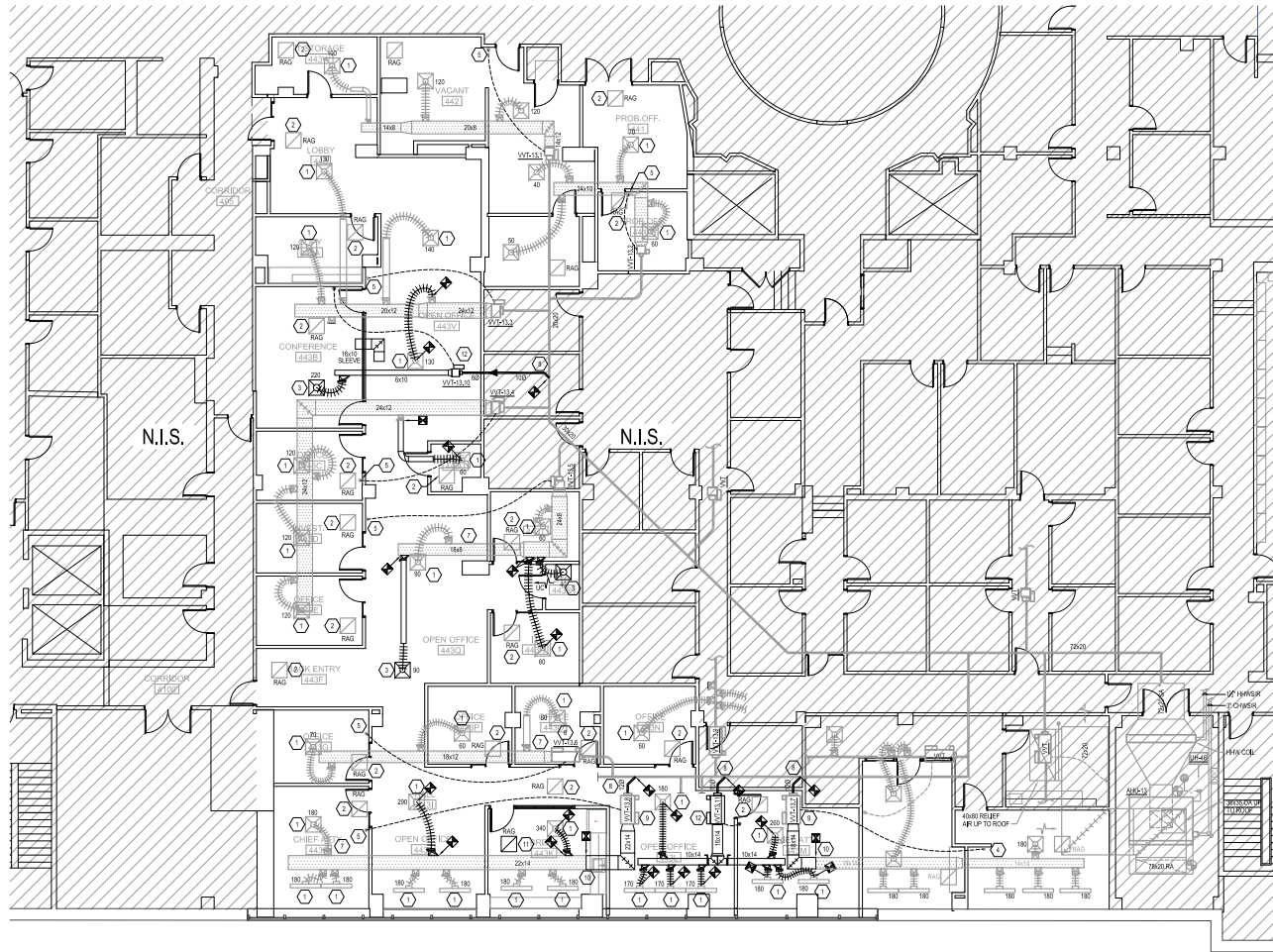
FOR PROJECT NO. 18-03
THIS DOCUMENT IS THE PROPERTY OF DODSTONE ARCHITECTS AND IS TO BE USED ONLY FOR THE PROJECT AND SITE SPECIFICALLY IDENTIFIED HEREIN. IT IS TO BE RETURNED TO DODSTONE ARCHITECTS UPON COMPLETION OF THE PROJECT. NO PART OF THIS DOCUMENT IS TO BE REPRODUCED OR TRANSMITTED IN ANY FORM OR BY ANY MEANS, ELECTRONIC OR MECHANICAL, INCLUDING PHOTOCOPYING, RECORDING, OR BY ANY INFORMATION STORAGE AND RETRIEVAL SYSTEM, WITHOUT PERMISSION IN WRITING FROM DODSTONE ARCHITECTS. VIOLATION IS PROHIBITED.

OFFICE OF THE STATE ATTORNEY,
SECOND JUDICIAL CIRCUIT
4th Floor Renovation,
Suite 443
301 S. MOBILE ST.
TALLAHASSEE, FL 32301
PROJECT NUMBER: 18-03

AS BEST KNOWN TO THE ARCHITECT, THESE DRAWINGS AND SPECIFICATIONS ARE THE PROPERTY OF DODSTONE ARCHITECTS AND ARE TO BE USED ONLY FOR THE PROJECT AND SITE SPECIFICALLY IDENTIFIED HEREIN. IT IS TO BE RETURNED TO DODSTONE ARCHITECTS UPON COMPLETION OF THE PROJECT. NO PART OF THIS DOCUMENT IS TO BE REPRODUCED OR TRANSMITTED IN ANY FORM OR BY ANY MEANS, ELECTRONIC OR MECHANICAL, INCLUDING PHOTOCOPYING, RECORDING, OR BY ANY INFORMATION STORAGE AND RETRIEVAL SYSTEM, WITHOUT PERMISSION IN WRITING FROM DODSTONE ARCHITECTS. VIOLATION IS PROHIBITED.

NO.	DATE	REVISION TITLE

PREPARED BY: []
CHECKED BY: []
DESIGNED BY: []
DRAWN BY: []
DATE: []
PROJECT TITLE: PARTIAL FOURTH FLOOR PLAN - DEMOLITION
M101

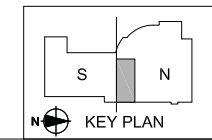


GENERAL NOTE - RENOVATION
 EXISTING HVAC SYSTEM TO REMAIN, PROVIDE TEST & BALANCE FOR VAV BOXES AS INDICATED IN SPECIFICATIONS ON SHEET M02.

KEY NOTES - RENOVATION

- 1. RELOCATED SUPPLY AIR DIFFUSER INSTALLED IN NEW CEILING SYSTEM. EXTEND AND RECONNECT DUCTWORK AS NEEDED, BALANCE TO VALUE INDICATED.
- 2. RELOCATED EXISTING RETURN AIR GRILLE.
- 3. NEW SUPPLY AIR DIFFUSER, BALANCE TO VALUE INDICATED.
- 4. EXISTING VAV TEMPERATURE SENSOR.
- 5. EXISTING RELOCATED VAV TEMPERATURE SENSOR.
- 6. RELOCATE VAV BOX AS REQUIRED TO ACCOMMODATE NEW CEILING HEIGHT IN THE ROOM, CONTRACTOR TO VERIFY AND COORDINATE WITH OTHER TRADES AS NECESSARY.
- 7. ADJUST DUCTWORK AS REQUIRED TO ACCOMMODATE NEW CEILING HEIGHT IN THIS ROOM, CONTRACTOR TO VERIFY AND COORDINATE WITH OTHER TRADES AS NECESSARY.
- 8. PROVIDE NEW 45 DEGREE TAKEOFF, SEE DETAIL M02G.
- 9. RELOCATED VAV BOX, EXTEND AND RECONNECT POWER, CONTROLS AND DUCTWORK.
- 10. CONNECT NEW EXTERNALLY LINED DUCT TO EXISTING INTERNALLY LINED DUCT PER SMACNA REQUIREMENTS.
- 11. PROVIDE NEW RETURN GRILLE.
- 12. NEW VAV BOX.

M1 PARTIAL FOURTH FLOOR PLAN - RENOVATION
 SCALE: 1/8" = 1'-0"



DODSTONE ARCHITECTS
 301 S. MOBILE ST. | TALLAHASSEE, FL 32301
 PHONE: 904.224.1111 | FAX: 904.224.1122

Scott T. Craig, Jr., State of Florida, Professional Engineer, License No. 73938

This item has been electronically signed and sealed by Scott T. Craig, Jr., P.E. on 10/26/2018 using a Digital Signature.

Printed copies of this document are not considered signed and sealed, and the signature must be verified on any electronic copies.

REVISIONS

NO.	DATE	DESCRIPTION

102 PROJECT NO. 1828

THIS DOCUMENT IS THE PROPERTY OF DODSTONE ARCHITECTS AND IS TO BE USED ONLY FOR THE PROJECT AND SITE SPECIFICALLY IDENTIFIED HEREIN.

IT IS TO BE KEPT IN A SAFE PLACE AND NOT REPRODUCED, COPIED, OR TRANSMITTED IN ANY MANNER WITHOUT THE WRITTEN CONSENT OF DODSTONE ARCHITECTS.

OFFICE OF THE STATE ATTORNEY,
 SECOND JUDICIAL CIRCUIT
 4th Floor Renovation,
 Suite 443
 301 S. MOBILE ST.,
 TALLAHASSEE, FL 32301
 PROJECT NUMBER: 1828

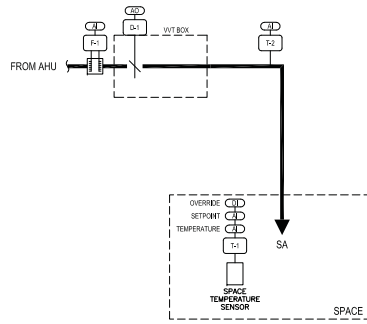
AS PART OF THE SERVICE PROVIDED BY DODSTONE ARCHITECTS AND ENGINEERS, INC. TO THE UNIVERSITY OF FLORIDA, THE UNIVERSITY OF FLORIDA ARCHITECTS AND ENGINEERS, INC. HAS REVIEWED THESE DRAWINGS FOR CONFORMANCE WITH FEDERAL, STATE AND LOCAL REQUIREMENTS. THESE DRAWINGS ARE THE PROPERTY OF DODSTONE ARCHITECTS AND ENGINEERS, INC. WITHOUT WRITTEN AGREEMENT, REPRODUCTION OR TRANSMISSION OF THESE DRAWINGS IS PROHIBITED.

DATE SUBMITTED: 10/26/2018
 CHECKED BY: [Signature]
 DRAWN BY: [Signature]

PARTIAL FOURTH FLOOR PLAN - RENOVATION

M102

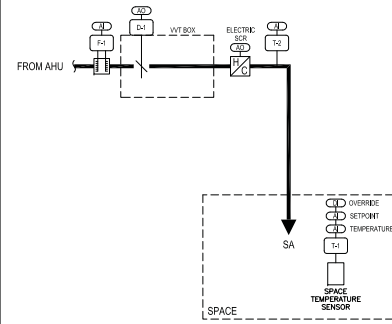
CONTROLS - WT COOLING (WT-13.10)



- SINGLE DUCT SUPPLY AIR TERMINAL COOLING**
- GENERAL
 - THE TERMINAL UNIT SHALL BE CONTROLLED BY A STANDARD BACNET APPLICATION SPECIFIC CONTROLLER (ASCC). THE ASCC SHALL MONITOR AND CONTROL THE UNIT IN A STANDBY MODE OR AS DIRECTED BY THE BMS.
 - THE ASCC SHALL RESEAL ON A SUBNETWORK OF THE PROGRAMMABLE APPLICATION CONTROLLERS.
 - ALL SETPOINTS, TIME DELAYS, DEAD-BANDS, RESET LIMITS, SELECTABLE POINTS, AND OBJECTS SHALL BE AVAILABLE TO THE USER VIA DYNAMIC GRAPHICS OR TEXT-BASED INTERFACE WITHOUT REQUIRING THE USER TO EDIT THE APPLICATION PROGRAM.
 - RUN CONDITIONS
 - SPACE TEMPERATURE SETPOINTS:** PROVIDE AN OCCUPIED SPACE TEMPERATURE COOLING (OFF, ADJ) SETPOINT, PROVIDE AN UNOCCUPIED SPACE TEMPERATURE COOLING (OFF, ADJ) SETPOINT.
 - OCCUPIED MODE:** ENABLE THE TERMINAL UNIT BASED ON AN OCCUPIED TIME SCHEDULE. ENABLE COOLING MODE OF OPERATION TO MAINTAIN THE OCCUPIED SPACE TEMPERATURE SETPOINTS.
 - UNOCCUPIED MODE:**
 - TEMPERATURE CONTROL:** DURING UNOCCUPIED HOURS RESET THE COOLING SPACE TEMPERATURE SETPOINT EQUAL TO THE RESPECTIVE UNOCCUPIED TEMPERATURE SETPOINT, AND RESET THE MINIMUM AIRFLOW SETPOINT TO THE RESPECTIVE UNOCCUPIED AIRFLOW SETPOINT. ENABLE COOLING MODE OF OPERATION TO MAINTAIN THE UNOCCUPIED TEMPERATURE SETPOINT, SEND SIGNAL TO RESPECTIVE AIR HANDLER TO MAINTAIN UNOCCUPIED MODE OF OPERATION.
 - COOLING MODE:** IF THE SPACE TEMPERATURE RISES ABOVE COOLING SETPOINT PLUS A DEAD-BAND (T1, ADJ) FOR A TIME DELAY (D) MIN, THEN INHIBIT COOLING MODE. IF THE SPACE TEMPERATURE FALLS BELOW HEATING SETPOINT PLUS A DEAD-BAND (T1, ADJ) FOR A TIME DELAY (D) MIN, THEN ENABLE COOLING MODE.
 - INLET DAMPER
 - AIRFLOW SETPOINTS:** PROVIDE COOLING AIRFLOW SETPOINTS (MINIMUM UNOCCUPIED MINIMUM, AND OCCUPIED MINIMUM, INITIAL VALUES SEE EQUIPMENT SCHEDULE).
 - COOLING MODE:** MODULATE THE INLET DAMPER BETWEEN MINIMUM AND MAXIMUM COOLING AIRFLOW SETPOINTS TO MAINTAIN THE SPACE TEMPERATURE COOLING SETPOINT.
 - ALARMS
 - THE BAS SHALL ANNUNCIATE THE FOLLOWING ALARMS (AUTO RESET)
 - HIGH SPACE TEMPERATURE:** IF THE SPACE TEMPERATURE IS 3°F (ADJ) GREATER THAN SETPOINT FOR A MINIMUM 10 MINUTE TIME DELAY.
 - REQUIRED REPORTS
 - SPACE TEMPERATURE
 - FREQUENCY:** WEEKLY
 - DAYS:** LOW, HIGH AND AVERAGE SPACE TEMPERATURE PER DAY

POINT DESCRIPTION	UNITS	POINT TYPE				CONTROL TYPE				SCHEM DESIG	NOTES	
		ANALOG IN	DIGITAL IN	INTER POINT	IN	OUT	P	I	D			
INLET DAMPER	% OPEN		1				X	X			D-1	
SPACE TEMPERATURE	DEG F	1									T-1	
SPACE TEMPERATURE SET-POINT ADJUST	DEG F	1									T-1	
SUPPLY AIR TEMPERATURE	DEG F	1									T-2	
SUPPLY AIRFLOW	CFM	1									F-1	
POINTS (SUB-TOTAL)	#	4	1	0	0							
POINTS (TOTAL WITH SPARE)	#	5	2	0	0							

CONTROLS - WT WITH HEAT (WT-13.11)



- SINGLE DUCT SUPPLY AIR TERMINAL WITH HEAT**
- GENERAL
 - THE TERMINAL UNIT SHALL BE CONTROLLED BY A STANDARD BACNET APPLICATION SPECIFIC CONTROLLER (ASCC). THE ASCC SHALL MONITOR AND CONTROL THE UNIT IN A STANDBY MODE OR AS DIRECTED BY THE BMS.
 - THE ASCC SHALL RESEAL ON A SUBNETWORK OF THE PROGRAMMABLE APPLICATION CONTROLLERS.
 - ALL SETPOINTS, TIME DELAYS, DEAD-BANDS, RESET LIMITS, SELECTABLE POINTS, AND OBJECTS SHALL BE AVAILABLE TO THE USER VIA DYNAMIC GRAPHICS OR TEXT-BASED INTERFACE WITHOUT REQUIRING THE USER TO EDIT THE APPLICATION PROGRAM.
 - RUN CONDITIONS
 - SPACE TEMPERATURE SETPOINTS:** PROVIDE COOLING SPACE TEMPERATURE COOLING (OFF, ADJ) AND HEATING (OFF, ADJ) SETPOINTS, PROVIDE UNOCCUPIED SPACE TEMPERATURE COOLING (OFF, ADJ) AND HEATING (OFF, ADJ) SETPOINTS, PROVIDE A MINIMUM COOLING AND HEATING AIRFLOW SETPOINTS OF 10% UNOCCUPIED SPACE TEMPERATURE SETPOINT (HEATING) AND 10% UNOCCUPIED SPACE TEMPERATURE SETPOINT (COOLING).
 - OCCUPIED MODE:** ENABLE THE TERMINAL UNIT BASED ON AN OCCUPIED TIME SCHEDULE. ENABLE COOLING AND HEATING MODES OF OPERATION TO MAINTAIN THE OCCUPIED SPACE TEMPERATURE SETPOINTS.
 - UNOCCUPIED MODE:**
 - TEMPERATURE CONTROL:** DURING UNOCCUPIED HOURS RESET THE COOLING AND HEATING SPACE TEMPERATURE SETPOINTS EQUAL TO THE RESPECTIVE UNOCCUPIED TEMPERATURE SETPOINTS, AND RESET THE MINIMUM AIRFLOW SETPOINTS TO THE RESPECTIVE UNOCCUPIED AIRFLOW SETPOINTS. ENABLE COOLING AND HEATING MODES OF OPERATION TO MAINTAIN THE UNOCCUPIED TEMPERATURE SETPOINTS, SEND SIGNAL TO RESPECTIVE AIR HANDLER TO MAINTAIN UNOCCUPIED MODE OF OPERATION.
 - COOLING MODE:** IF THE SPACE TEMPERATURE RISES ABOVE COOLING SETPOINT PLUS A DEAD-BAND (T1, ADJ) FOR A TIME DELAY (D) MIN, THEN INHIBIT COOLING MODE. IF THE SPACE TEMPERATURE FALLS BELOW HEATING SETPOINT PLUS A DEAD-BAND (T1, ADJ) FOR A TIME DELAY (D) MIN, THEN ENABLE COOLING MODE.
 - HEATING MODE:** IF THE SPACE TEMPERATURE FALLS BELOW HEATING SETPOINT PLUS A DEAD-BAND (T1, ADJ) FOR A TIME DELAY (D) MIN, THEN INHIBIT HEATING MODE. IF THE SPACE TEMPERATURE RISES ABOVE COOLING SETPOINT PLUS A DEAD-BAND (T1, ADJ) FOR A TIME DELAY (D) MIN, THEN ENABLE HEATING MODE.
 - INLET DAMPER
 - AIRFLOW SETPOINTS:** PROVIDE COOLING AIRFLOW SETPOINTS (MINIMUM UNOCCUPIED MINIMUM, AND OCCUPIED MINIMUM), PROVIDE HEATING AIRFLOW SETPOINTS (MINIMUM UNOCCUPIED MINIMUM, AND OCCUPIED MINIMUM, INITIAL VALUES SEE EQUIPMENT SCHEDULE).
 - COOLING MODE:** MODULATE THE INLET DAMPER BETWEEN MINIMUM AND MAXIMUM COOLING AIRFLOW SETPOINTS TO MAINTAIN THE SPACE TEMPERATURE COOLING SETPOINT.
 - HEATING MODE:** MODULATE THE INLET DAMPER BETWEEN MINIMUM AND MAXIMUM HEATING AIRFLOW SETPOINTS TO MAINTAIN THE SPACE TEMPERATURE HEATING SETPOINT.
 - ELECTRIC HEAT
 - COOLING MODE:** ENABLE ELECTRIC HEAT.
 - HEATING MODE:** MODULATE THE ELECTRIC HEAT TO MAINTAIN SPACE TEMPERATURE HEATING SETPOINT.
 - ALARMS
 - THE BAS SHALL ANNUNCIATE THE FOLLOWING ALARMS (AUTO RESET)
 - HIGH SPACE TEMPERATURE:** IF THE SPACE TEMPERATURE IS 3°F (ADJ) GREATER THAN SETPOINT FOR A MINIMUM 10 MINUTE TIME DELAY.
 - LOW SPACE TEMPERATURE:** IF THE SPACE TEMPERATURE IS 1°F (ADJ) LESS THAN SETPOINT FOR A MINIMUM 10 MINUTE TIME DELAY.
 - REQUIRED REPORTS
 - SPACE TEMPERATURE
 - FREQUENCY:** WEEKLY
 - DAYS:** LOW, HIGH AND AVERAGE SPACE TEMPERATURE PER DAY
 - ELECTRIC HEAT USAGE
 - FREQUENCY:** WEEKLY
 - DAYS:** THE REAL TIME WORKS PER DAY FOR EACH STAGE OF ELECTRIC HEAT

POINT DESCRIPTION	UNITS	POINT TYPE				CONTROL TYPE				SCHEM DESIG	NOTES	
		ANALOG IN	DIGITAL IN	INTER POINT	IN	OUT	P	I	D			
INLET DAMPER	% OPEN		1				X	X			D-1	
ELECTRIC HEAT (SCR)	%		1				X	X				
SPACE TEMPERATURE	DEG F	1									T-1	
SPACE TEMPERATURE SET-POINT ADJUST	DEG F	1									T-1	
SUPPLY AIR TEMPERATURE	DEG F	1									T-2	
SUPPLY AIRFLOW	CFM	1									F-1	
POINTS (SUB-TOTAL)	#	4	2	0	0							
POINTS (TOTAL WITH SPARE)	#	5	3	0	0							



Scott T. Craig, J.C., State of Florida, Professional Engineer, License No. 73938

This item has been electronically signed and sealed by Scott T. Craig, J.C., P.E. on 10/26/2016 using a digital signature.

Printed copies of this document are not considered signed and sealed, and the signature must be verified on any electronic copies.



FOR PROJECT NO. 1629 THE DOCUMENT IS THE PROPERTY OF THE ARCHITECT AND IS TO BE USED ONLY FOR THE PROJECT AND NOT FOR REPRODUCTION OR FOR ANY OTHER PURPOSES WITHOUT THE WRITTEN PERMISSION OF THE ARCHITECT.

THIS DOCUMENT IS THE PROPERTY OF THE ARCHITECT AND IS TO BE USED ONLY FOR THE PROJECT AND NOT FOR REPRODUCTION OR FOR ANY OTHER PURPOSES WITHOUT THE WRITTEN PERMISSION OF THE ARCHITECT.

OFFICE OF THE STATE ATTORNEY,
SECOND JUDICIAL CIRCUIT
4th Floor Renovation,
Suite 443
301 S. MOORE ST.,
TALLAHASSEE, FL 32301
PROJ. NO. 1629
REV. 10/26/16

AS PART OF THE MEASUREMENT AND VERIFICATION (M&V) PROGRAM, THE ARCHITECT AND ENGINEER SHALL VERIFY THE ENERGY PERFORMANCE OF THE BUILDING AS SHOWN ON THESE DRAWINGS. THESE DRAWINGS OBTAIN THEIR VALIDITY FROM THE M&V PROGRAM WITHOUT WHICH THEY ARE VOID. ARCHITECTS IS PROHIBITED FROM REPRODUCING OR TRANSMITTING THESE DRAWINGS IN ANY MANNER WITHOUT THE WRITTEN PERMISSION OF THE ARCHITECT.

DATE	REVISION TITLE

CONTROLS
M201